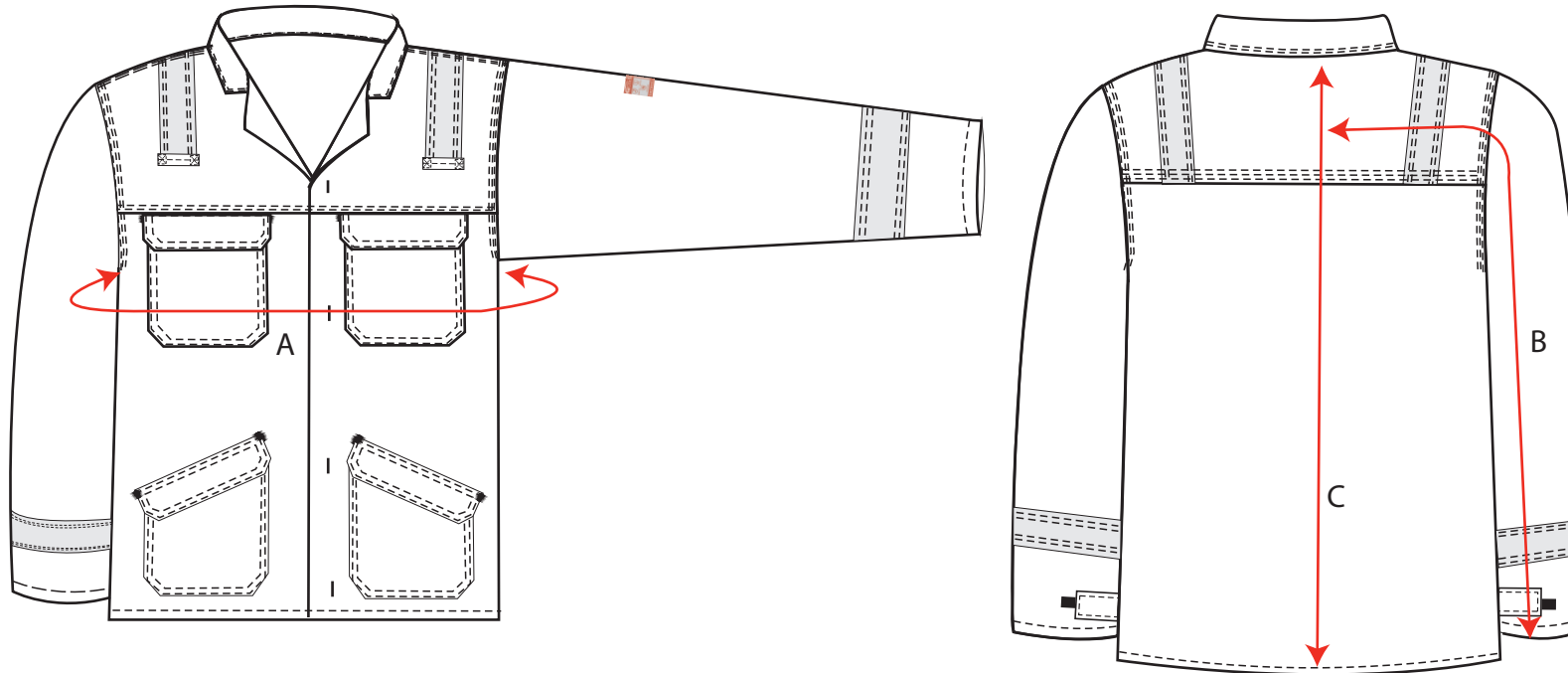


STYLE NO: FR55

DESCRIPTION: Anti-static Jacket with reflective tape to EN ISO 11612, EN ISO 11611, EN1149 & IEC 61482-2

FABRIC: 99% Cotton 1% Carbon Fibre 350g.

COLOUR: Navy/ Red, Red/ Navy.



AREA		92-96 SMALL	100-104 MEDIUM	108-112 LARGE	116-124 X-LARGE	128-132 XXL	136-140 XXXL	144-148 XXXXL
CHEST	<b>A</b>	108	116	124	136	144	152	160
SLEEVE	<b>B</b>	84	85	86	87.5	88.5	89.5	90.5
JKT LENGTH	<b>C</b>	74	75	76	77	78	79	80